



**Circle** | delete as appropriate. *Enter information* where required

Blower Make	Model	Size
Hick Hargreaves   BOC Edwards	2000   4000   4200   4300   S2H	

Motor power	Motor Speed	Motor Voltage	ATEX Rated? <i>Provide details if yes</i>	Invertor / Variable Speed?
			Yes   No	Yes   No

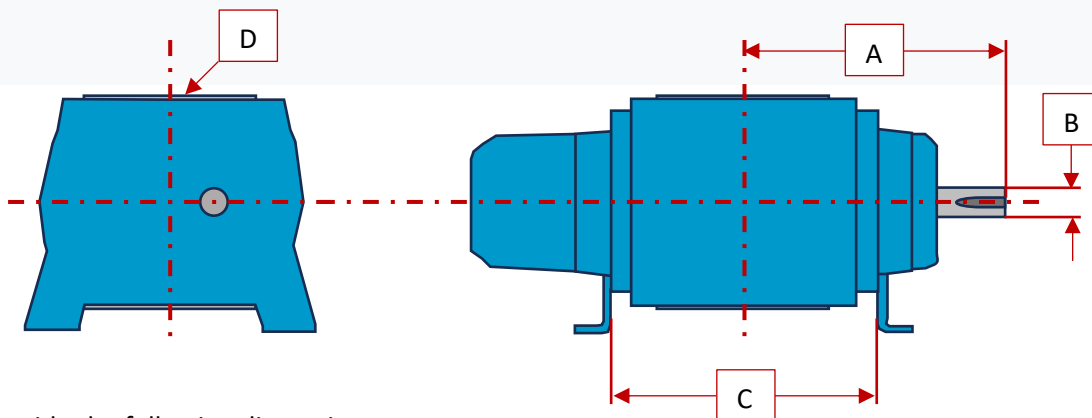
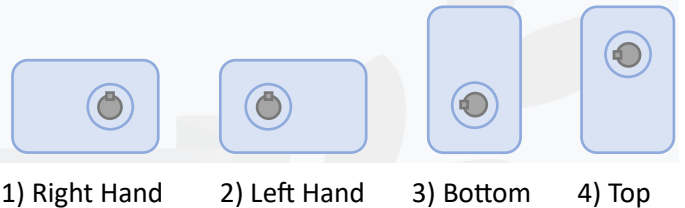
Application	Pressure   Vacuum
Passing medium	Air   Gas* <sup>1</sup>
Airflow required	M <sup>3</sup> /hr   CFM
System Pressure	mBarg   PSIG

System
Pneumatic Conveying   Aeration   Other (please specify: _____)

\*<sup>1</sup>Please provide detailed gas analysis

**Additional questions if you are unable to identify some of the above information.**

Motor Pulley diameter	
Blower Pulley diameter	
Relief Valve setting	
When looking at the blower from the input shaft: where is the shaft situated	Use examples to the right as a guide:
Does the blower have:	<ul style="list-style-type: none"> <li>• Threaded port</li> <li>• Flanged port (with bolt holes)</li> </ul>



Please provide the following dimensions

A	B (Shaft diameter)	C	D (Port diameter)